

PROTOPIA



Advisory services

Microsoft Azure related

Services

-
- Technology advisory
 - Training
 - Technology mentoring

Technology advisory

Microsoft Azure related, engagement up to 2 weeks

- Architecture analysis and selection based on requirements
 - with Preview/Beta services if needed
 - data solutions with classic-style and event-driven data lakes
 - cloud-native, microservice application architecture in serverless, containers and Kubernetes
- Designing and reviewing enterprise-ready solutions
 - enterprise network hardening
 - secure by design
 - governance

Technology advisory

Microsoft Azure related, engagement up to 2 weeks

- Architecture and Event Storming workshops
- Helping with cloud adoption for new or existing on-premises application
- Cost optimization
- Building and optimizing governance and operational processes
- Development process automation and optimization
- Ability to engage other Microsoft MVP in the areas of data analytics, AI, Power BI and Power Platform if needed

Training

- Training tailored to fit your needs
 - Dedicated technical trainings and workshops
 - Hackathons
 - Microsoft Official Courses
 - Level and needs measured to each group separately
- Unique approach
 - Hands-on heavy
 - Distilled to most practical parts
 - Easily applicable knowledge

Technology mentoring

Subscription based model

- Become technical mentor for your team and/or system
- Availability for your team in different forms
 - “call a friend”
 - office hours
 - personal technical mentoring
 - on-demand online and onsite meeting for consulting and review
 - short trainings (up to half day)

Azure Kubernetes Services PoC

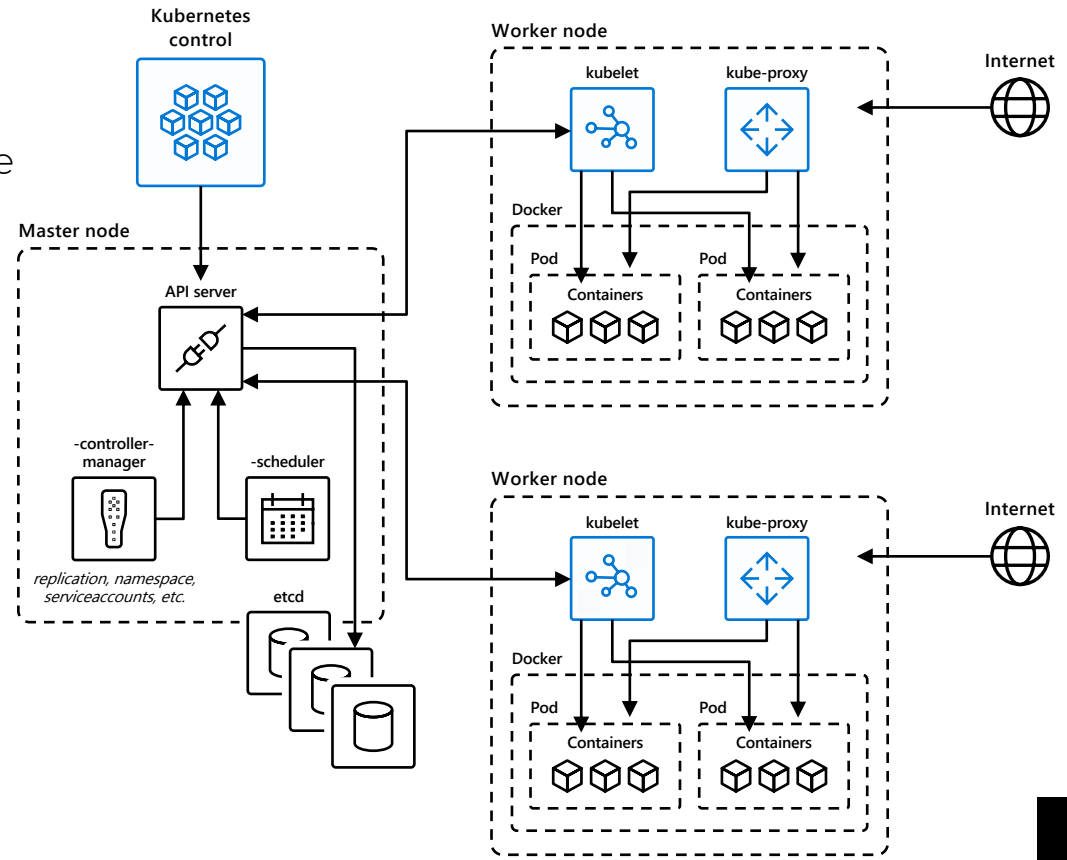
Azure Kubernetes Services PoC

Engagement activities

- Introduce AKS and possible supporting infrastructure
- Define goals for the PoC
- Select an application that will be moved to AKS
- Outline Kubernetes Architecture customized to your needs
- Deliver the Proof of Concept and agreed on deliverables
- Handover

Kubernetes architecture

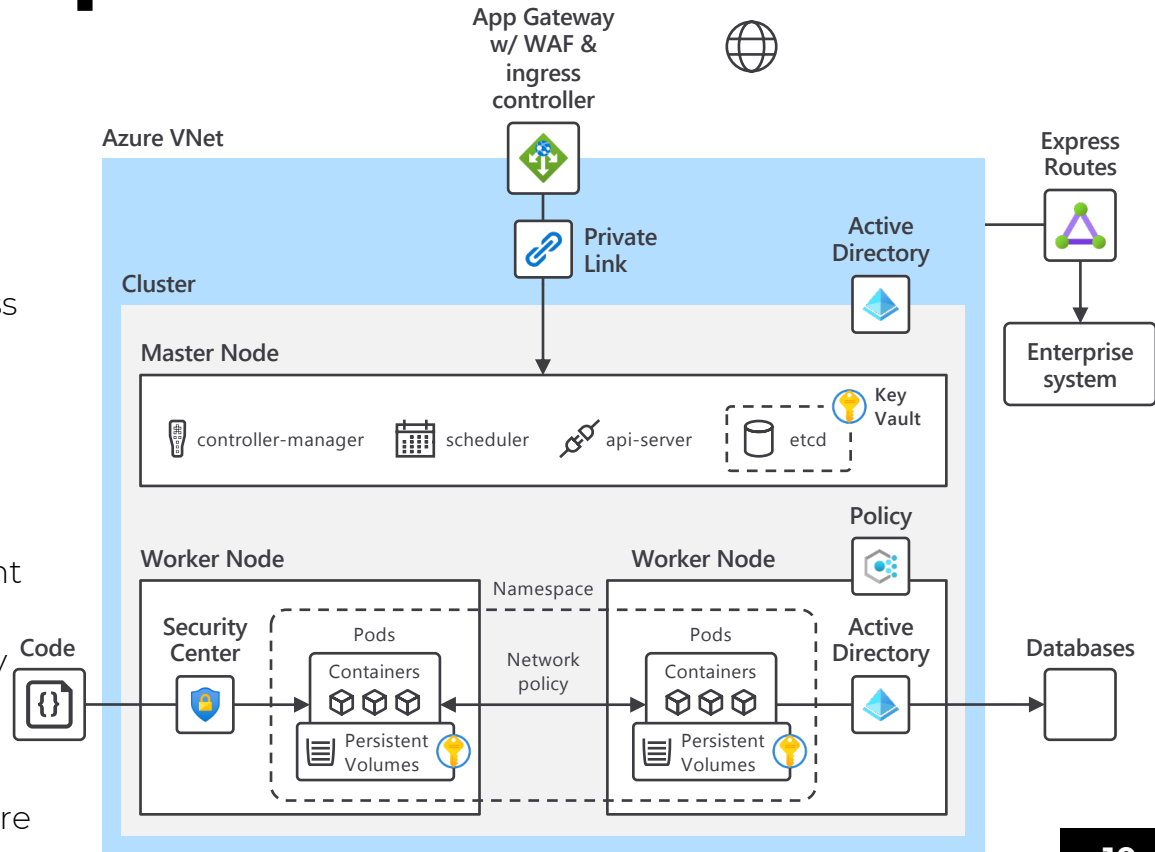
- Kubernetes users communicate with API server and apply desired state
- Master nodes actively enforce desired state on worker nodes
- Worker nodes support communication between containers
- Worker nodes support communication from the Internet



AKS secure setup

Multi-layer security

- Enforce compliance rules to cluster and CI/CD pipeline consistently with Azure Policy
- Apply fine-grained identity and access control using Azure Active Directory
- Encrypt the disks used in your AKS cluster using your own keys, stored in Azure Key Vault
- Gain security management, intelligent threat detection, and actionable recommendations with Azure Security Center integration
- Interact with the Kubernetes API server as a private endpoint using Azure Private Link



Azure Kubernetes Services PoC

Deliverables

- AKS Cluster working in compliance with the best practices
- Selected application working in AKS
- Next steps and recommendations
- Workshops
- Automated CI pipeline or a script for deploying the solution



Contact us

PROTOPIA

Protopia sp. z o.o.

W: <https://protopia.tech>

E: kontakt@protopia.tech

M: +48 22 230 2415

Microsoft
Partner

Gold Cloud Platform
Gold Data Platform
Gold Data Analytics
Gold DevOps

Microsoft
Partner

Gold Application Development
Gold Application Integration
Silver Security

