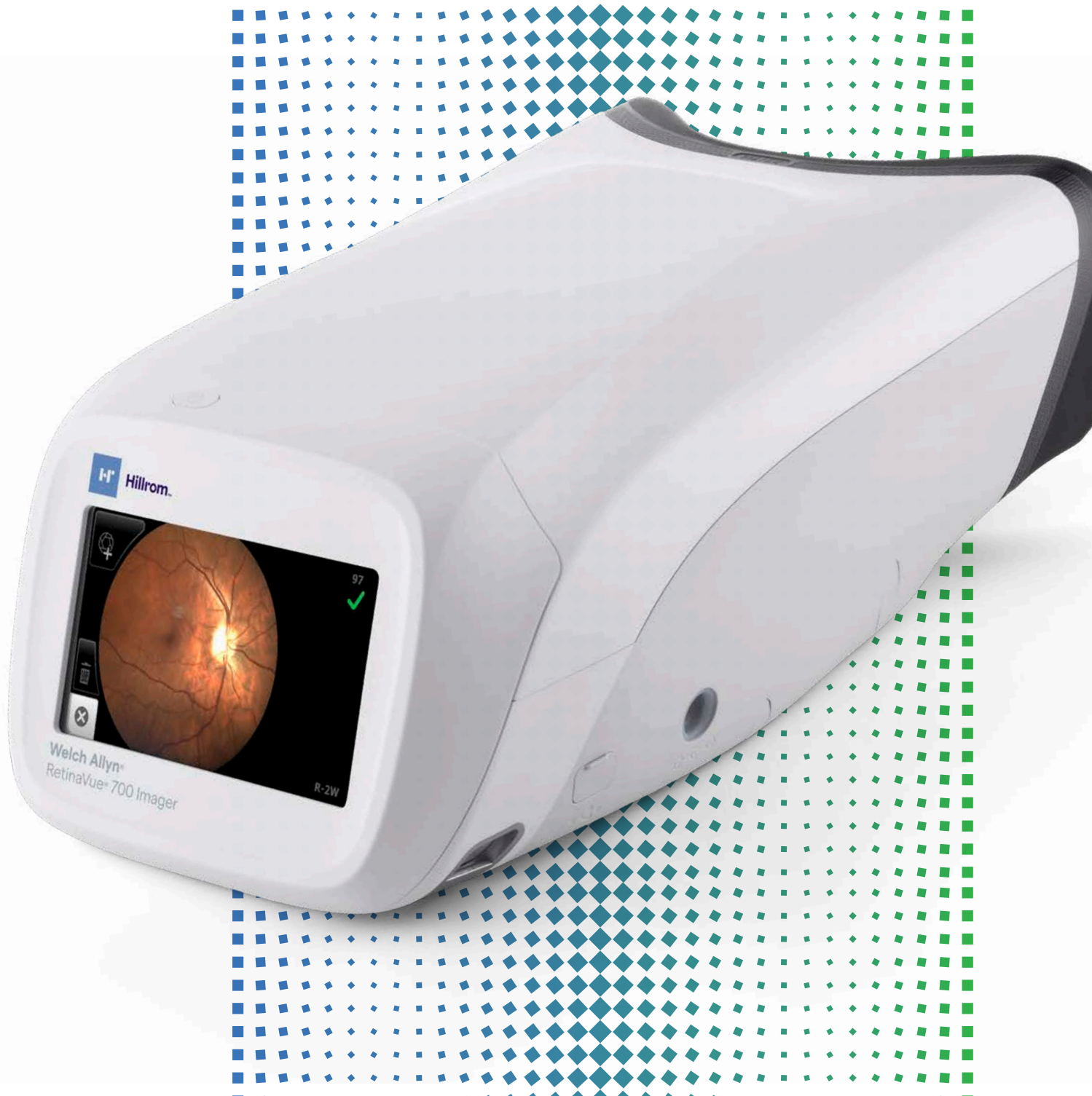




**Hillrom™**

# Welch Allyn® RetinaVue® 700 Imager



# RETINAVUE 700 IMAGER

The world's most advanced handheld retinal camera



## Easy to use

Experience automated retina imaging in a handheld camera—featuring auto-alignment, auto-focus and auto-capture. Keep your focus on your patient, not on difficult-to-use technology.



## Made for primary care

Non-mydriatic and small-pupil capable, the RetinaVue 700 Imager enables comfortable exams without chemical dilation. The small, handheld design is perfect for busy clinics and mobile healthcare applications.



## Superior image quality

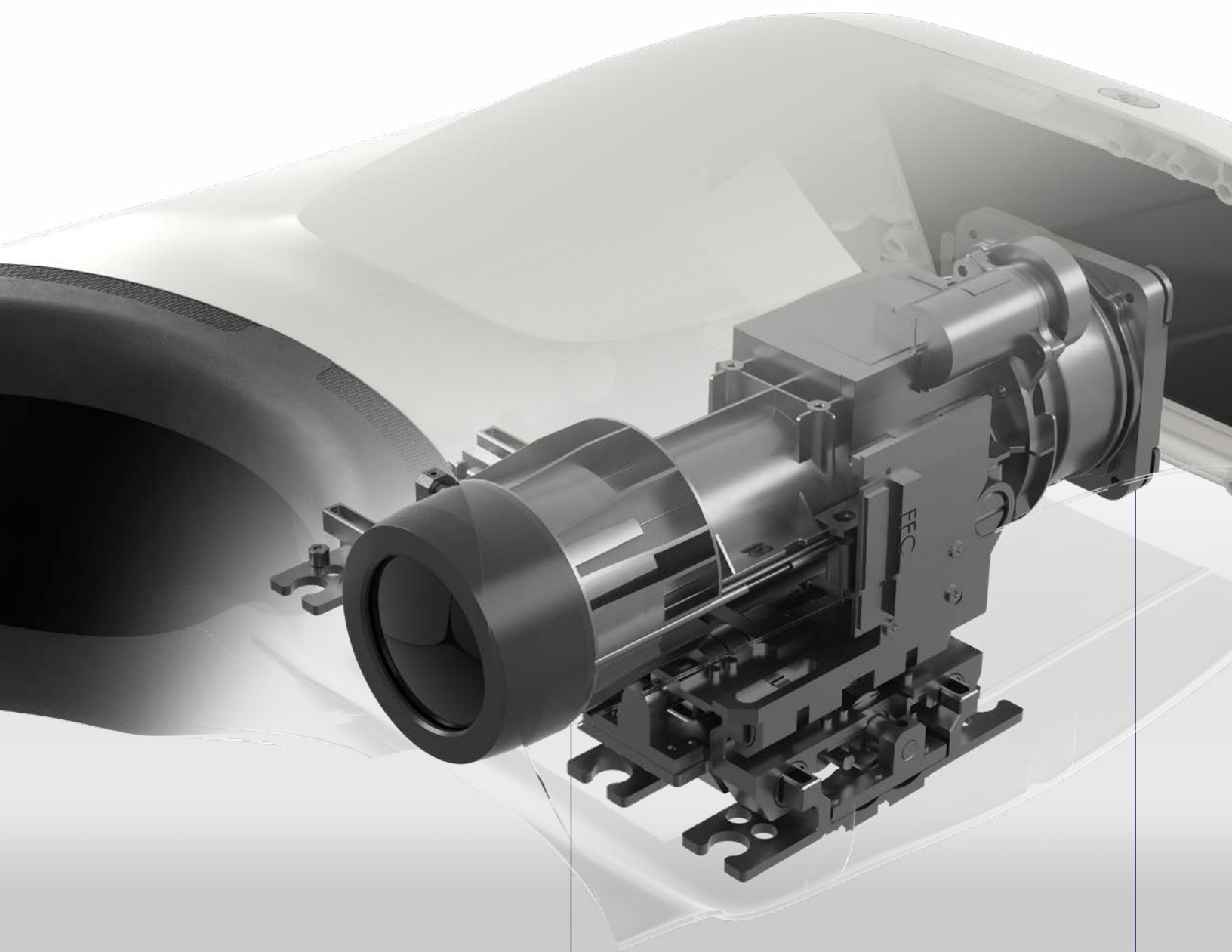
Our proprietary image-quality assessment algorithm can help reduce your need for re-imaging appointments. You will get an immediate quality score on the image you capture.



## Security built in at every layer

We know you need to protect both your patients and your infrastructure. That's why our HIPAA/HITECH-compliant RetinaVue Network features end-to-end encryption of data in transit and at rest, along with secure client-server authentication. The RetinaVue Network, hosted on the Microsoft® Azure™ cloud, is independently verified for security, privacy and compliance controls to give you peace of mind and help you protect what matters.





### **AUTOMATIC FOCUS & IMAGE CAPTURE**

Unique, three-axis motor supports automatic alignment and automatic image capture, removing the guesswork from your workflow

### **60° WIDE FIELD OF VIEW**

Featuring the widest field of view—up to 75% larger capture area compared to other leading cameras—to help you see more pathology in a single image

### **SMART CAMERA FUNCTIONALITY**

Assesses pupil size and lens clarity, providing helpful warnings for small pupil size and dirty lens to save you time

### **2.5 MM SMALL PUPIL CAPABILITY**

A fast, more complete exam is here with little to no chemical dilation needed for small pupils



## WELCH ALLYN RETINAVUE 700 IMAGER SELECT PRODUCT SPECIFICATIONS\*

Field of View	60 degree (Typical)
Diopter Range	-20 to +20 diopter (Typical)
Dimensions	Length: 11.4 inches (290.2 mm) Width: 6.6 inches (167 mm) Height: 4.8 inches (106 mm)
Weight	Standard Capacity Battery: 2.8 lbs (1270 grams) High Capacity Battery: 3.0 lbs (1361 grams)
Illumination	Preview Mode: Infrared LED Image Capture: Natural White LED
Focus	Automatic and Manual Focus
Image Resolution	2592 x 1944 pixels (5MP)
LCD Monitor	4.3 inch
Image Format	Encrypted JPEG, DICOM
Interface	Micro USB
Main Power	100~240 VAC, 50/60 Hz
Power Adapter	Input: 100~240 VAC, 50/60 Hz, 1.0 - 0.5 A; Output: 12 V DC, 3 A

\* For a complete list of product specifications, visit [retinavue.com/700](http://retinavue.com/700)

## ORDERING INFORMATION

RV700-B	Welch Allyn RetinaVue 700 Imager with Premium Storage Case; 100-240 V, 50-60 Hz AC, 3200 mAh Lithium-Ion 7.2 V Battery; IEC Plug Type-B
728131	7.2 V Lithium-Ion Battery for RetinaVue 700 Imager; 3200 mAh (standard capacity)
728132	7.2 V Lithium-Ion Battery for RetinaVue 700 Imager; 6400 mAh (high capacity)
728133	Battery charger for RetinaVue 700 Imager
728134	Welch Allyn Pedestal Base for RetinaVue 700 Imager