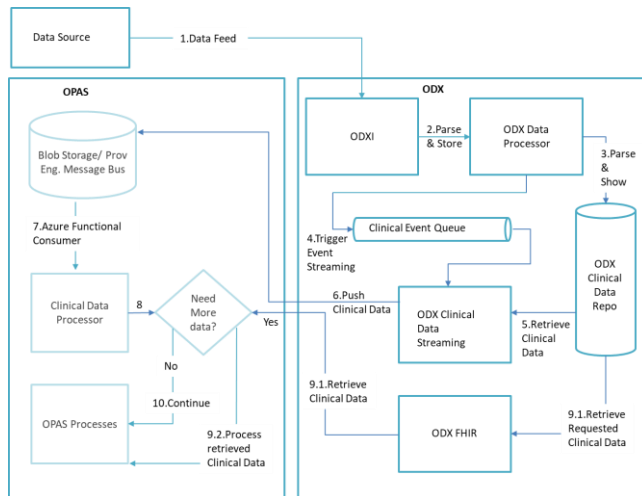


Case Study: App Modernization & Migration on Azure

Client Requirements

Client is the largest health plan provider offering a variety of products. With 600+ health cloud engineers, CitiusTech has a deep understanding of the Cloud Computing needs of healthcare organizations and this better enabled CitiusTech to execute as per the requirements of the client.

CitiusTech helped the client build and modernize its existing on-premise patient case assessment & management application. After building the application, CitiusTech migrated it on Azure cloud. Later the application was used as a generic solution for submissions and storage of member cases.



Solution Schematic

CitiusTech Solution:

- Developed an enhanced version of the case assessment application to manage patient cases using the latest tech stack (Angular 8, Entity Framework 6, .NET Framework 4.6.1, Azure, DevOps, Terraform)
- Developed and deployed the SAAS applications (Case Intake, Midas, RMS) via Azure DevOps pipeline
- Migrated and modernized legacy web services by utilizing Azure functions that helped scale-up of the application easily
- Provisioned for infrastructure upgrade using Terraforms for the new solution hosted on cloud

Value Delivered:

- Customized deployment allowed the client to re-use its application, saving 40% additional costs
- Automated deployment of the case assessment application made the process 100% error free and also enabled faster deployments saving time by 70%
- Utilized DevOps Azure YAML structure to create CI/CD pipelines improving efficiency by ~85%