



BILFINGER

PIDGraph

Smart Way to Digitize Engineering Documentation

Bilfinger Digital Next GmbH

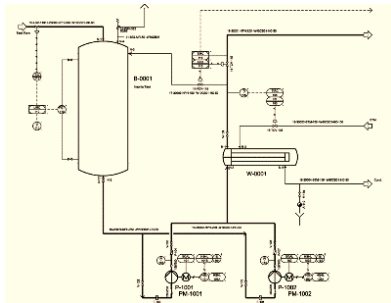


BILFINGER

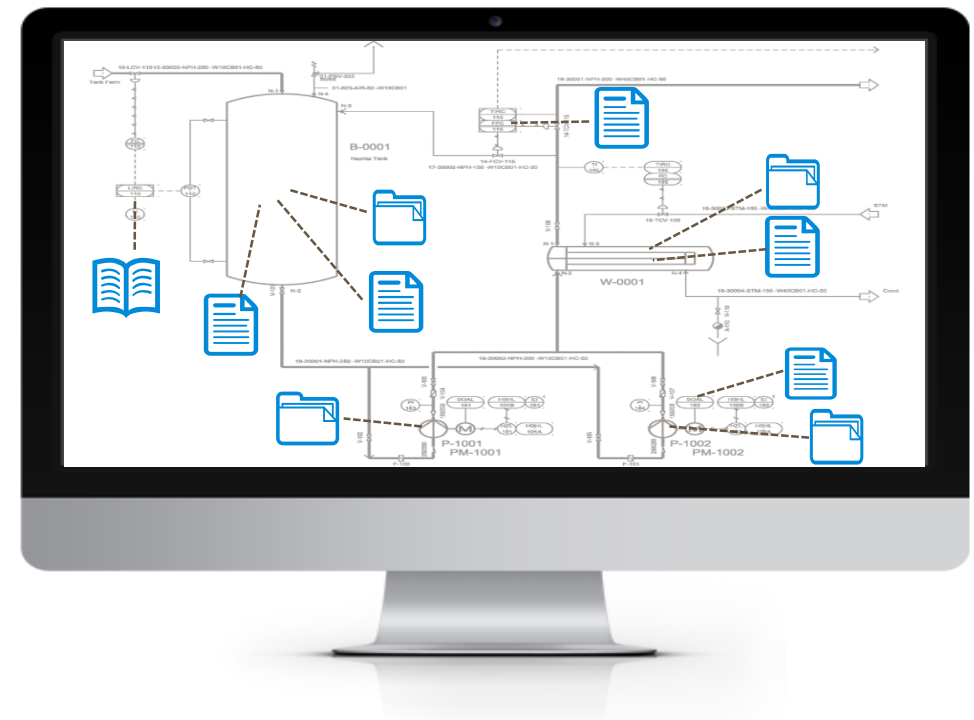
From legacy documentation to a digital twin

How can you speed up the conversion process using newest technology?

Common Situation



Desired Situation

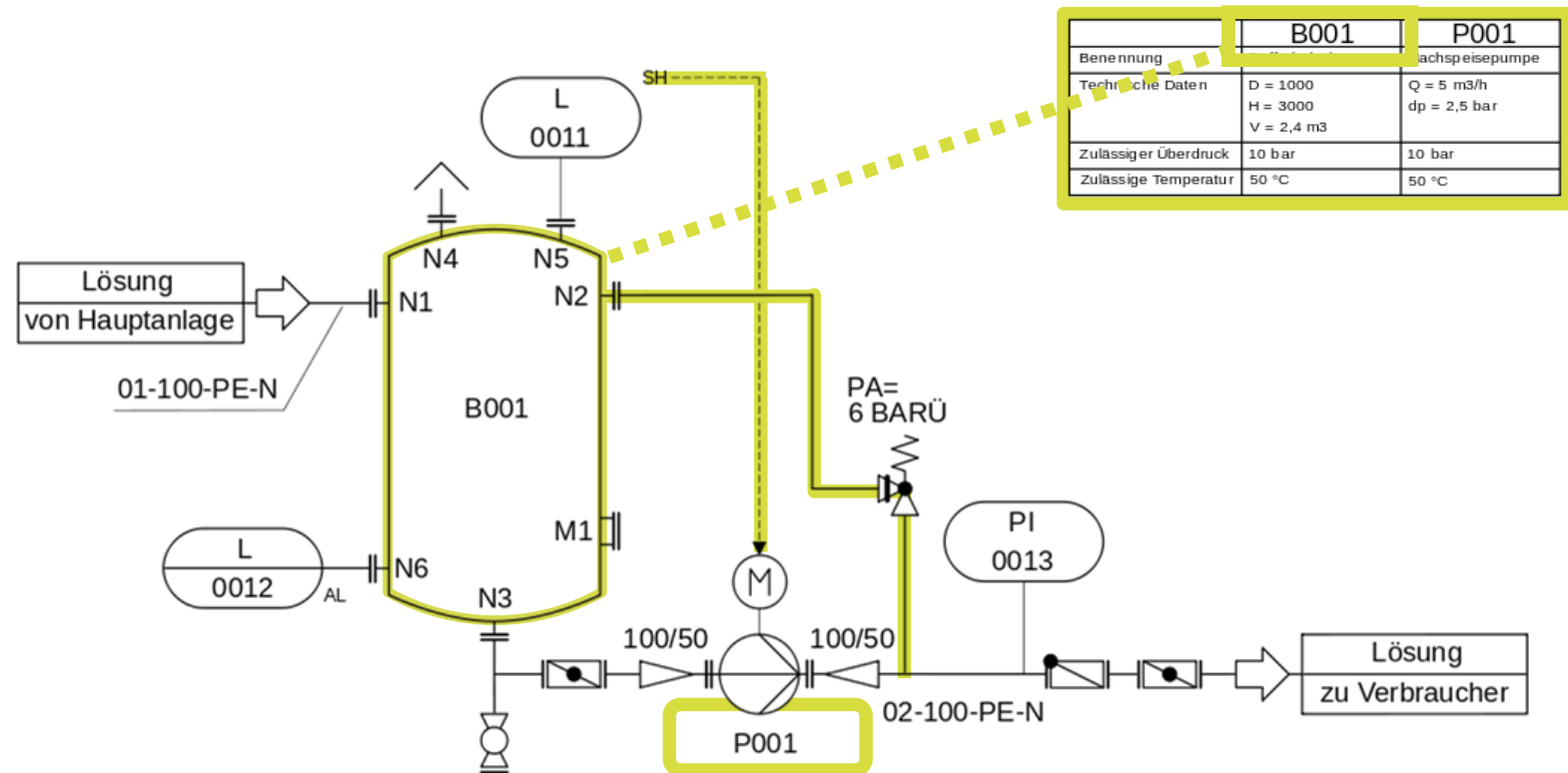




PIDGraph

Recognition of all visible elements on a P&ID

- TABLE
- LINE TYPES
- COMPONENT
- TAG

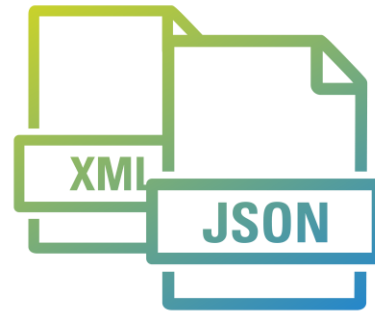
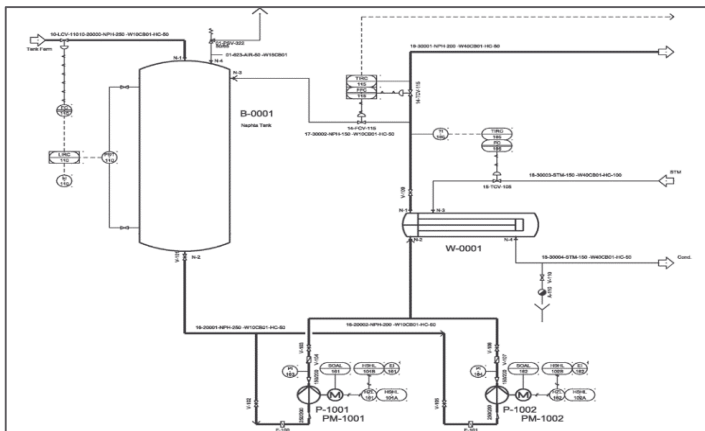




BILFINGER

PIDGraph

Significantly enhance P&ID conversion based on Artificial Intelligence



P&ID according to individual symbol standard e.g. PDF

Intelligent XML or JSON output

Export to 3rd party CAE systems or others

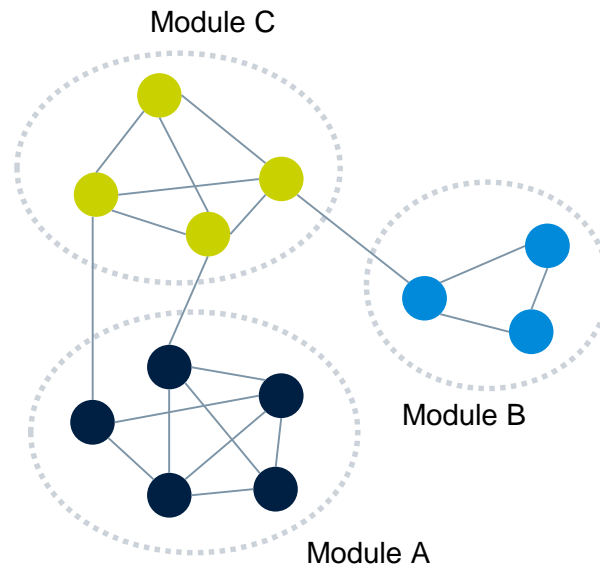


Applications for intelligent P&IDs

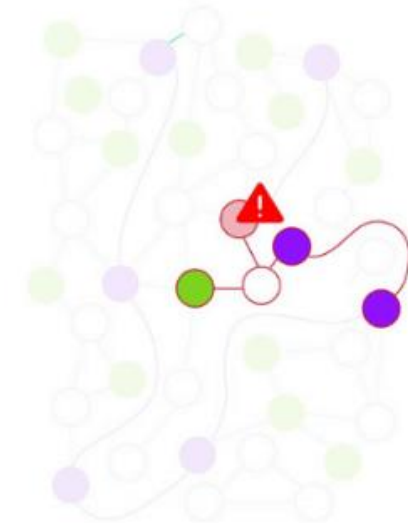
Optimization potentials from engineering to operations and maintenance



Central and efficient management of P&IDs



Deep graph analysis to optimize engineering

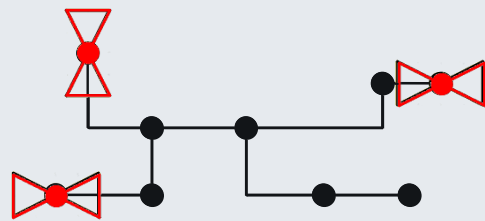


Process-based analytics for actionable insights



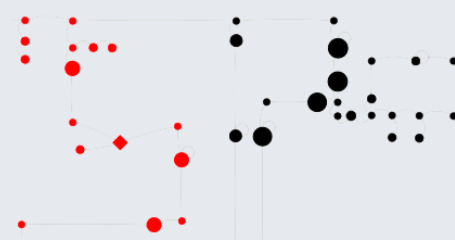
Deep Graph Analysis

Enhance your engineering and operation with PIDGraph's intelligence



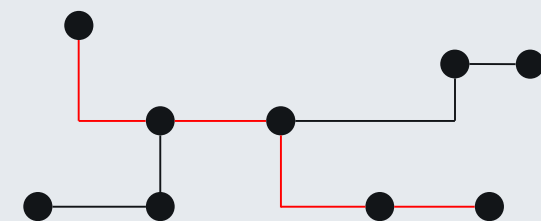
Equipment isolation

Identify valves to be closed before isolating a selected equipment



Module engineering

Find families of similar functionalities based on relationships

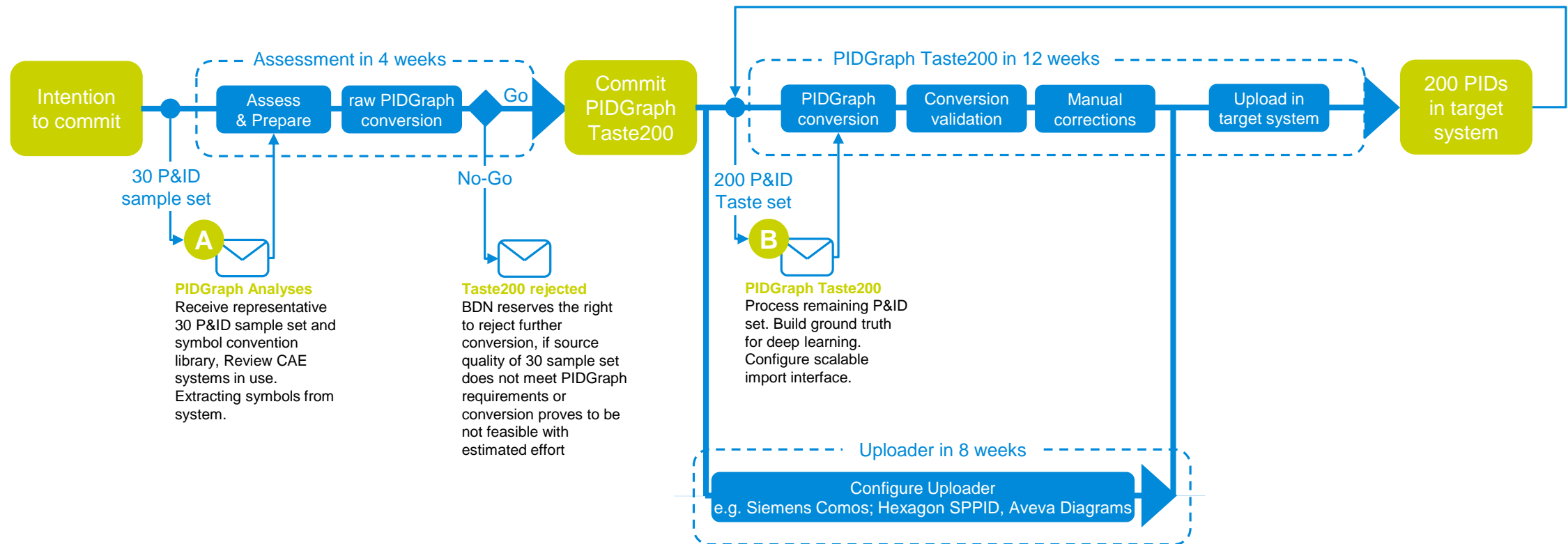


Flow-stream order

Query the graph for specific elements in case of breakdown

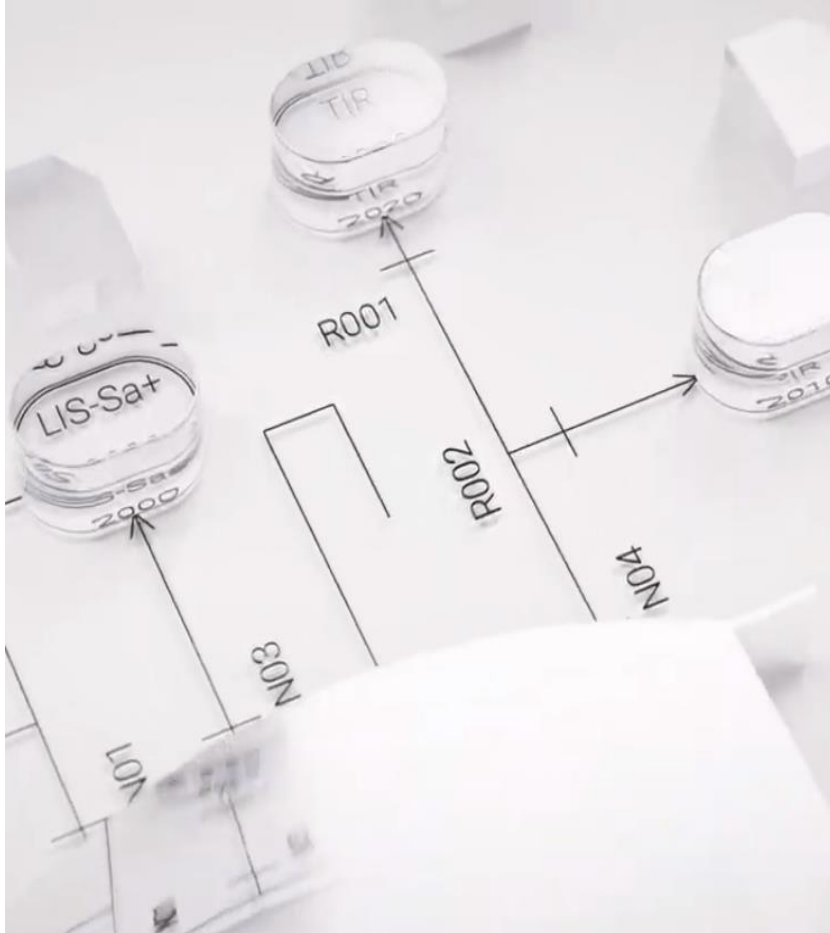


PIDGraph Taste200 – Risk-free P&ID digitization work process





BILFINGER



PIDGraph Taste200

The risk-free lump sum P&ID digitalization

Let us start your journey to a digital twin

- Conversion of ca. 200 P&IDs into JSON / XML format
- Lump sum price per P&ID
- Optional import of PIDGraphML files into your target system using custom interface, not included in conversion price

Additional benefits for you

- Bilfinger guarantees 100% conversion by validation
- Using deep graph analysis, it is also possible to optimize your engineering processes and operations



BILFINGER

**WE
MAKE
DIGITALIZATION
WORK!**